

MATERIAL

Aluminium, matte finish.

AISI 304 stainless steel nuts, clamping and grub screws with hexagon socket.

STANDARD EXECUTIONS

- **GN 196-BL**: natural aluminium.
- **GN 196-SW**: aluminium, epoxy resin coating, RAL 9005 black colour.

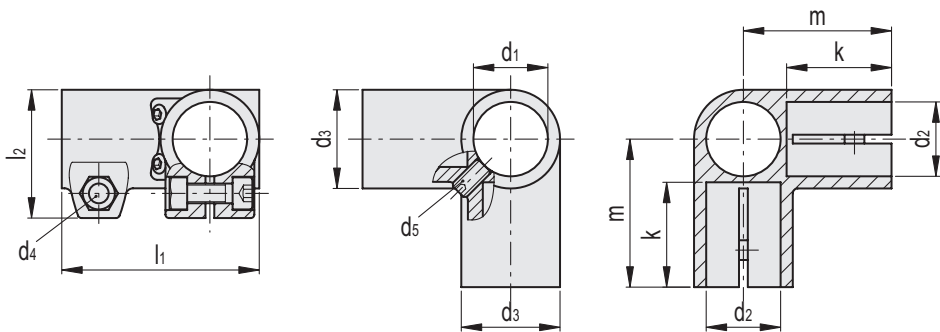
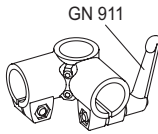
FEATURES AND APPLICATIONS

The assembly holes of GN 196 connecting clamps allow an excellent match with tubes GN 990 (see page 1954).

The clamping screw d4 may be replaced by clamping kit GN 911 (see page 1958).

SPECIAL EXECUTIONS ON REQUEST

Different combinations of holes d1/d2.



Conversion Table 1 mm = 0.039 inch	
d1	
mm	inch
20	0.79
25	0.98
30	1.18

GN 196-BL

METRIC

Code	Description	d1	d2	d3	d4	d5	k	l1	l2	m	d4 Clamping kit	⚖
GN.55301	GN 196-B20-B20-2-BL	20	20	40	M8	M8	40	80	52	60	GN 911-M8-32	345
GN.55311	GN 196-B25-B25-2-BL	25	25	40	M8	M8	40	80	52	60	GN 911-M8-32	287
GN.55321	GN 196-B30-B30-2-BL	30	30	40	M8	M8	40	80	52	60	GN 911-M8-32	216

GN 196-SW

Code	Description	d1	d2	d3	d4	d5	k	l1	l2	m	d4 Clamping kit	⚖
GN.55302	GN 196-B20-B20-2-SW	20	20	40	M8	M8	40	80	52	60	GN 911-M8-32	345
GN.55312	GN 196-B25-B25-2-SW	25	25	40	M8	M8	40	80	52	60	GN 911-M8-32	287
GN.55322	GN 196-B30-B30-2-SW	30	30	40	M8	M8	40	80	52	60	GN 911-M8-32	216

* Complete the description of the standard item needed by adding the finish of the connector clamps: BL (blank) or SW (black).

